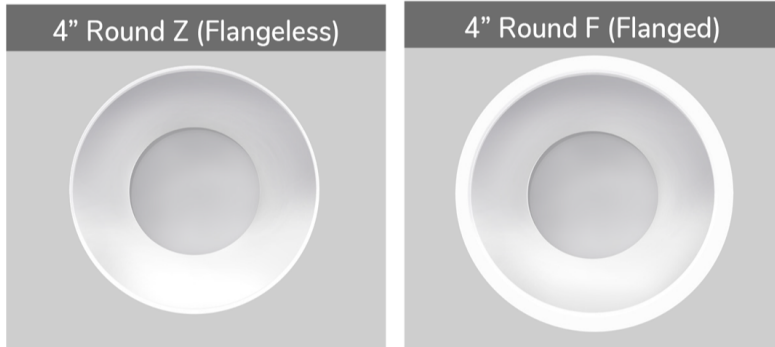
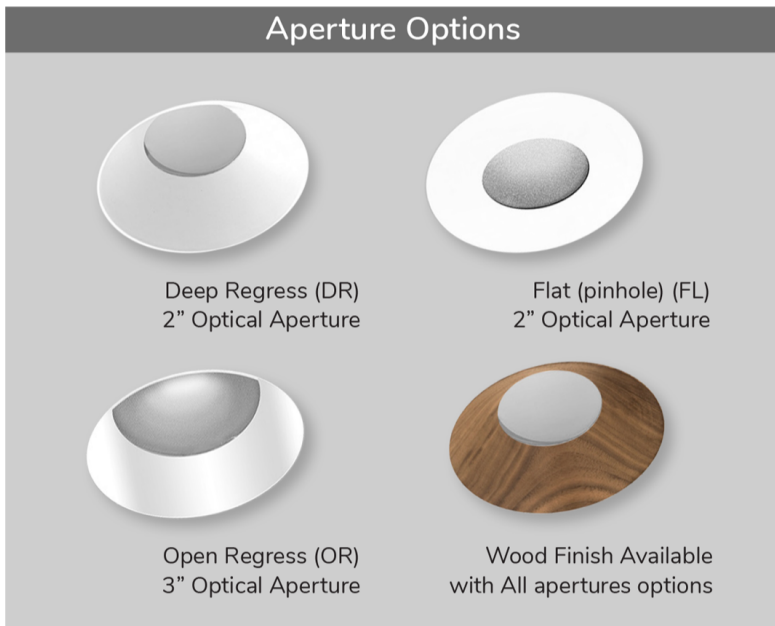
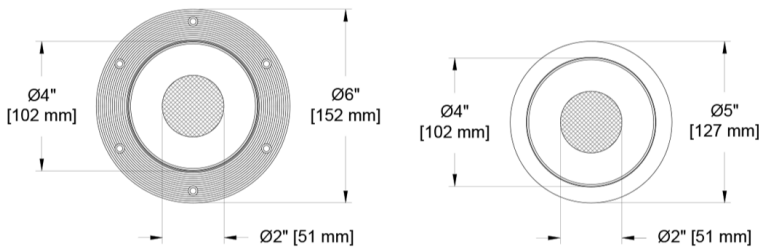


The Core Family

Welcome to the Core line of fixtures. You will find a rich diversity of technical and aesthetic options including 3 trim apertures, over 14 finishes including custom wood trims, flux and source selections featuring 90+ CRI fixed white and our world class Ambient Dim (Warm Dim), multiple beam spreads and plethora of driver and control choices. The Core downlight is created on a platform allowing a high degree of modification, so if you don't see what you are looking for, just ask. We are here to make your project right.



Deep Regress shown



PROJECT:

TYPE:

SPECIFIER:

DATE:

Key Points (CR4D-RA)

Trim

- Flanged or Flangeless
- Flangeless includes plaster flange with lip
- 14 color options + custom RAL or wood available
- One-piece die cast aluminum or machined wood trim

Source / Optics

- 2400K, 2700K, 3000K, 3500K, 4000K Ambient Dim, RGBW & Tunable White options
- 90 CRI , 60+ R9 Standard- 95 CRI 90+R9 Optional
- <2 MacAdam Steps (<2SDCM) for fixed white
- Up to 2300 delivered lumens
- Adjustable to 45° with 360° of rotation
- 4 beamspreads available- 15°, 24°, 40°, and 55°

Housing

- Compliant to with Airtight Housing
- Listed – Damp or wet with shower trim
- Approved for 8 (4-in / 4-out) #12 AWG conductors rated for 90°C through wiring
- IC Rated / Airtight Housing approved for use in direct contact with insulation – Chicago Plenum Available
- Heavy gauge aluminum for new construction or remodel

Driver

- TruPhase™, 0-10, DALI-2, DMX, Ecosystem or Wireless Control
- Flicker free to IEEE 1789-2015 available with EldoLED and TruPhase™ selections
- Prewired and integral to housing
- Universal 120-277v

Ordering Codes

PROJECT:

SPECIFIER:

DATE:

TYPE:

QUANTITY:

Ordering Code Example: CR4D-RA-DR-Z-AU-C20-35-24-E2-P14-92A-91L-97L-CP

FIXTURE	APERTURE	TRIM	MOUNTING	SOURCE / WATTS	CCT	BEAM	DRIVER / CONTROL	TRIM FINISH	LENS ACCESSORIES	ACCESSORIES
CR4D-RA										
Core 4" Round Adjustable Downlight	DR Deep Regress	Flanged Trims	Flanged Housings	Citizen	24 2400K	15 Spot	C1 0-10 1.0%, UNV (120-277V) linear	W White Paint	Aperture Lens	EM Emergency Pack
	OR Open Regress	F Flanged Trim	U Universal - Non-IC Housing	C14 ●● 15W 1074Lm** 90+CRI, 60+R9	27 2700K	24 Narrow Flood	C2 ELV/Triac 1.0%, (120V) linear	B Black Paint	91A Solite	CP Chicago Plenum
	FL Flat (Pin Hole)	FS Flanged Shower Trim* <i>(for mounting choose from Flanged Housings)</i>	AU ●● Airtight Universal IC-Rated	C20 ●● 21W 1422Lm** 90+CRI, 60+R9	30 3000K	40 Flood	E1 0-10 0.1%, UNV (120-277V) log	D Wood*	93A Frosted	Controls
		Z Flangeless Trim	P Plaster - Non-IC Housing	C28 30W* 2006Lm** 90+CRI, 60+R9	35 3500K	55 Wide Flood	E2 DALI-2 0.1%, UNV (120-277V) log	PXX Specialty Paint Color*	XXA Other Aperture Lens Treatments*	LR Lutron Wireless RF PowPak
		ZS Flangeless Shower Trim* <i>(for mounting choose from Flangeless Housings)</i>	AP ●● Airtight Plaster IC-Rated	Tunable	40 4000K		E3 0-10 0.1%, UNV (120-277V) linear	C Custom/RAL Color**	Reflector (lamp) Media	ATH Lutron Athena Wireless Node <i>Must be used with E2 driver</i>
			PM Panel Mount	T9 10W 90+CRI, 60+R9 <i>Tunable White</i>	TW1840 1800-4000K Tunable White w/ E1, E2, E3, E4		E4^ DMX 0.1%, UNV (120-277V) Universal DMX Driver/Controller RGBW-DMX	P01-P15	91L Solite	CA Casambi Wireless BLE to be paired with driver
			APM ●● Airtight Panel Mount IC-Rated	T15 15W 90+CRI, 60+R9 <i>Tunable White</i>	TW2765 2700-6500K Tunable White w/ E1, E2, E3, E4		^ INCLUDES DMX/RDM COMPATIBLE DRIVER WITH BUILT-IN DECODER - CONTROLLER BY OTHERS	C	93L Frosted	
		* Aperture Lens Required	●● Supports CA Title24 compliance	T20 ●● 21W 90+CRI, 60+R9 <i>Tunable White</i>	RG1280 1200-8000K RGBW Dynamic Color Changing <i>Requires E2 or E4</i>		TR2 TruPhase™ 0.1%, (120-120V) log Up to 20W Forward and Reverse compatible Phase Dimming Static White & Ambient Dim only	* Wood "D" selection to be used with Z trim and PM mounting - Refer to Wood Trim Guide	97L Black Hexcel Louver	
				RGBW 90+CRI, 60+R9	Ambient Dim™		LD Digital Ecosystem* 1.0%, UNV (120-277V) ECO Hi-Lume SoftOn/Fade-to-Black LDE1	** Refer to Finish Guide	XXL Other reflector (lamp) media* 1 piece of media per opening (aperture or reflector) can be selected.	
				A14 ●● 15W 858Lm 95+CRI, 90+R9	Ambient Dim™		* Not compatible with C28		*See Lens Accessory Guide	
				A20 ●● 21W 95+CRI, 90+R9	2722* 2700-2200K *A14 Only					
				●● Supports CA Title 24 Compliance to JA8 except in flat aperture	3019 3000-1900K					
				** Based on Deep Regress 24" beam	3022* 3000-2200K *A14 Only					
				View Photometry Table						



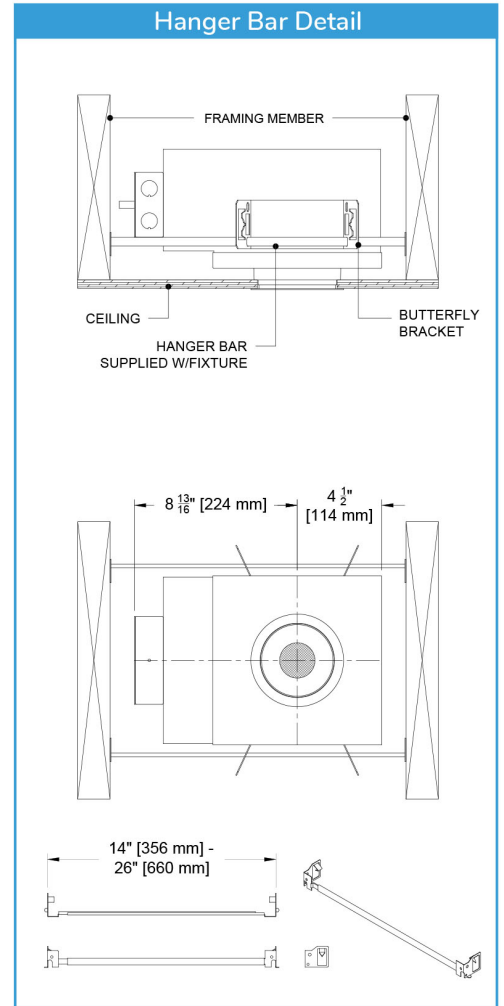
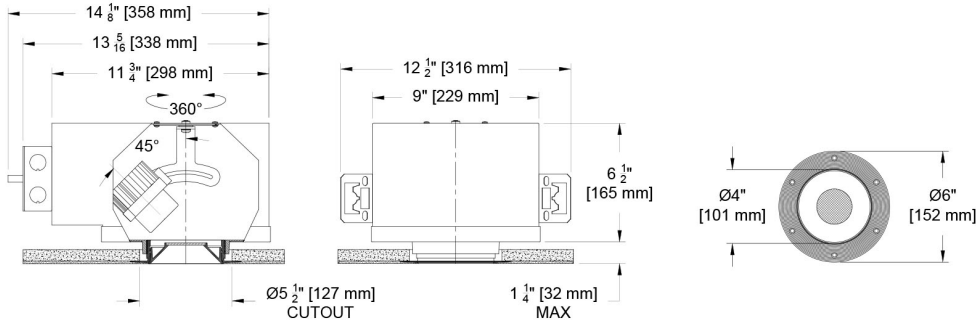
Ceiling Cutouts and Dimensions

Deep Regress Shown - others similar

Round Flangeless Housing

Plaster Mount (P/AP)

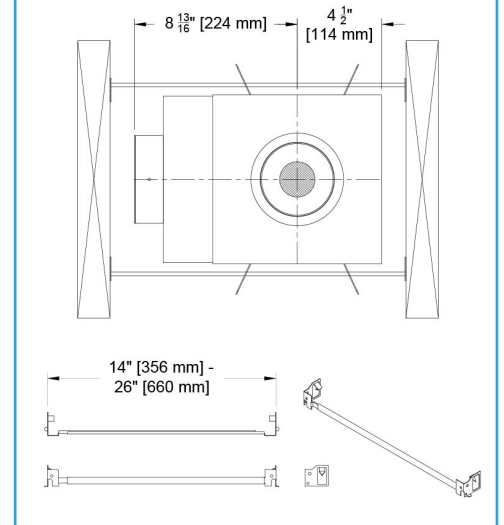
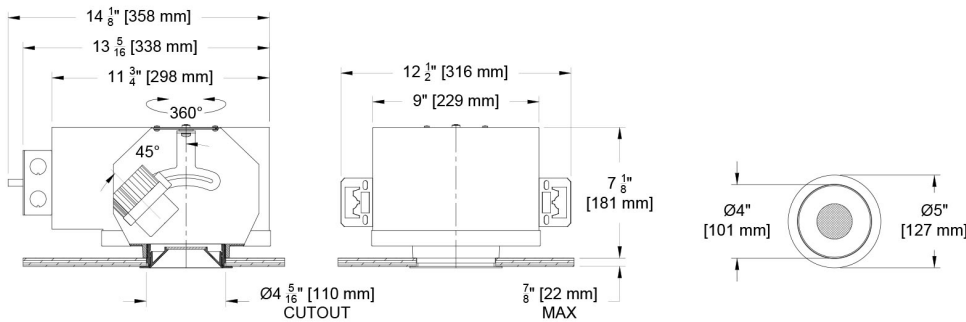
(CR4D-RA-DR-Z-P/AP)



Round Flanged Housing

Flanged Mount (U/AU)

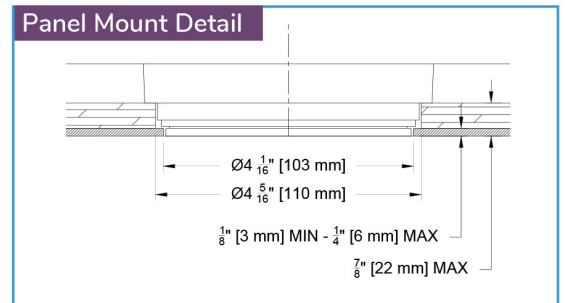
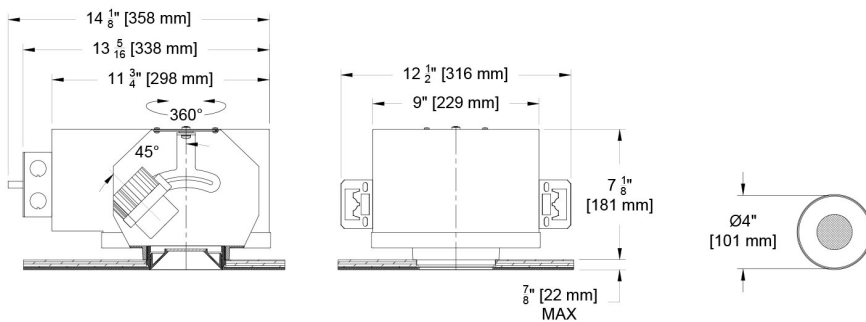
(CR4D-RA-DR -F-U/AU)



Round Flangeless Housing

Panel Mount (PM/APM)

(CR4D-RA-DR -P-PM/APM)



Photometric Table

All data is based from goniometer measurements of production representative product. All lumen values can vary +/- 10% from LED manufacturer rated flux range. Measurements at 3000 CCT

ROUND Beamspreads		15°				24°				40°				55°					
Source	System watts (W)	Delivered Lumens (lm)	Lumens/Watt	Peak CD	10% Field	Delivered Lumens (lm)	Lumens/Watt	Peak CD	10% Field	Delivered Lumens (lm)	Lumens/Watt	Peak CD	10% Field	Del. Lumens (lm)	Lumens/Watt	Peak CD	10% Field		
Deep Regress	Citizen C14	15	1149	77	7832	42°	1074	72	4247	46°	1117	74	2867	51°	1098	73	1416	71°	
	Citizen C20	21	1531	73	11189	43°	1422	68	6491	52°	1490	71	4096	56°	1464	70	2208	72°	
	Citizen C28*	30	2046	68	16106	41°	2006	67	9871	47°	2069	69	5688	54°	2020	67	3155	69°	
	Tunable White T9	10	630	65	4192	37°	626	65	3047	43°	645	66	1835	54°	498	51	727	78°	
	Tunable White T15	14	957	69	6214	37°	959	69	4671	43°	975	70	2847	54°	752	54	1106	78°	
	Tunable White T20	0	1372	68	8908	37°													
	Ambient Dim™ A14	15	882	59	7188	38°	858	57	4167	44°	801	53	2027	57°	844	56	1286	70°	
	Ambient Dim™ A20																		
Open Regress	Citizen C14	15	1267	84	7877	42°	1179	79	4203	52°	1183	79	2421	66°	1199	80	1533	75°	
	Citizen C20	21	1689	80	12229	41°	1571	75	6562	57°	1578	75	3459	63°	1536	73	1965	76°	
	Citizen C28*	30	2331	78	16883	44°	2169	72	9060	55°	2177	73	5140	67°	2163	72	2939	75°	
	Tunable White T9	10	783	80	4275	42°	764	78	3041	47°	760	77	1878	59°	610	62	744	81°	
	Tunable White T15	16	1335	80	7145	42°	1310	78	5213	49°	1298	77	3216	59°	1052	62	1283	81°	
	Tunable White T20																		
	AmbientDim™ A14	15	1001	67	7323	39°	987	66	4067	53°	991	66	2235	60°	969	65	1281	72°	
	AmbientDim™ A20																		
Flat (Pin Hole)	Citizen C14	15	824	55	7851	37°	716	48	4844	46°	700	47	2801	51°	623	42	1370	64°	
	Citizen C20	21	1099	52	11216	35°	967	46	6544	42°	933	44	3732	49°	830	40	1957	62°	
	Citizen C28*	30	1517	51	16982	32°	1334	44	8389	44°	1288	43	5154	53°	1145	38	2962	59°	
	Tunable White T9	10	504	51	4060	32°	449	46	2726	38°	544	55	1832	50°	334	34	726	62°	
	Tunable White T15	16	874	52	7256	33°	784	48	4755	38°	947	57	3184	50°	582	35	1259	62°	
	Tunable White T20																		
	Ambient Dim™ A14	15	747	50	7305	36°	702	47	4077	42°	678	45	2247	50°	622	41	1076	63°	
	AmbientDim™ A20																		

CCT Multiplier	
CCT	Citizen
2700	0.95
3000	1.00
3500	1.02
4000	1.03

15.2°

23.2°

38.2°

55.8°

All measurements based on 3000 CCT. Ambient Dim based on full output.

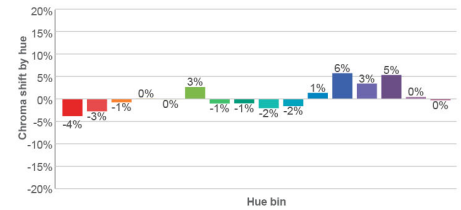
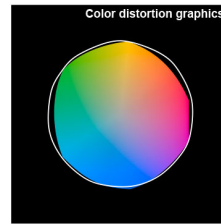
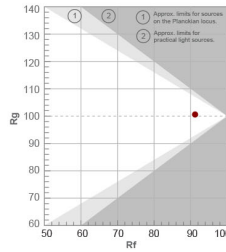
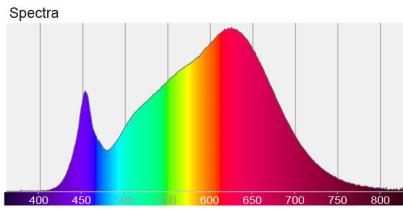
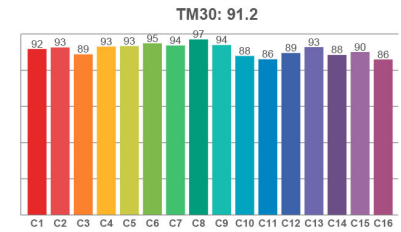
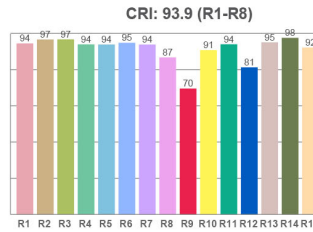
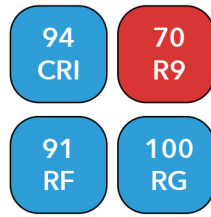
ISO CD Plot based on open Regress. All data based on delivered or derived delivered lumens at 3000k. Ambient dim at full output.
 *C28 source requires active cooling. Flat (Pin Hole) aperture wider beams experience significant beam clipping - refer to PDF report for exact FWHM beam angle.

Color Data

All data is based from goniometer measurements of production representative product. All lumen values can vary +/- 10% from LED manufacturer rated data range. Measurements at 3000 CCT

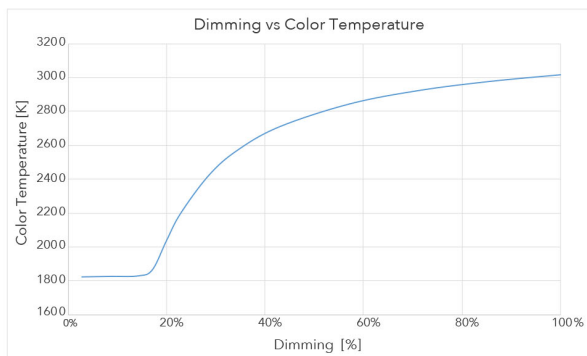
Citizen Sources - C14, C20 and C28

- <2 MacAdam Ellipse (<2 SDCM)
- 90+ CRI and RF
- 60+R9, Hue Bin 1

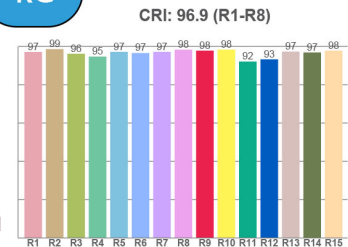
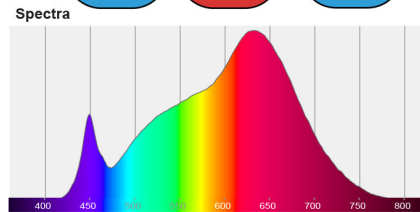


Ambient Dim - 3000k to 1900k

- <3 MacAdam Ellipse (<3 SDCM)
- 95+ CRI and RF
- 90+R9, Hue Bin 1
- Follows Black Body Locus through dimming range



3000 CCT Full Output



1850 CCT 5% Output

